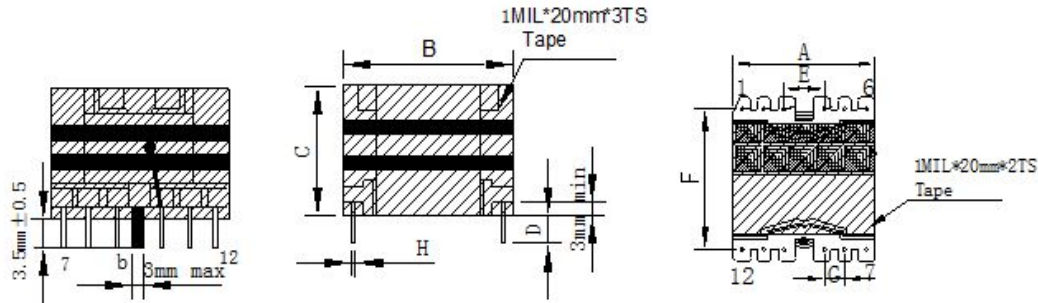


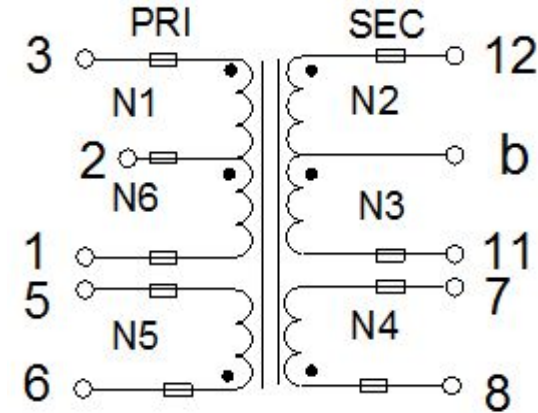
CUSTOMER TERMINAL	ROHS	Lead(Pb)-free
	YES	YES

## 1. Mechanical Dimensions



A	29.5	MAX
B	30.5	MAX
C	23.5	MAX
D	3.5	±0.5
E	7.6	±0.3
F	25.4	±0.4
G	3.8	±0.3
H	0.60	±0.1

## 2. Schematic Diagram



## 3. Material List

Core:FW95 PQ2620  
 Bobbin:FWB2601(6+6PIN)  
 Wire:2UEW TIW LITZ  
 Copper foil: 0.025t\*8.0mm  
 Operating Temperature: -30 to115 °C

## 4. Electrical Specification

Inductance: L(1-3):750uH±5% 60KHZ 、 1V  
 Leakage Inductance : 10uH MAX 60KHZ 、 1V  
 DCR:(1-3)=0.6ΩMAX (11-12)=0.23ΩMAX  
 Hi-Pot:P-S: AC 60Hz 4000V 2.0mA 3S  
 S-CORE: AC 60Hz 4000V 2.0mA 3S

REV.	DATE	 Convention Placement	DRW.	Drawing Title:	Part No:		
0	00/00		CHK.			<b>TRANSFORMER</b>	FWPTPQ2620V751J-1
			APP.			Customer P/N	Specification Sheet 1of 1

**ROHS**

[www.ferriwo.com](http://www.ferriwo.com)